

Absolute encoder MV58

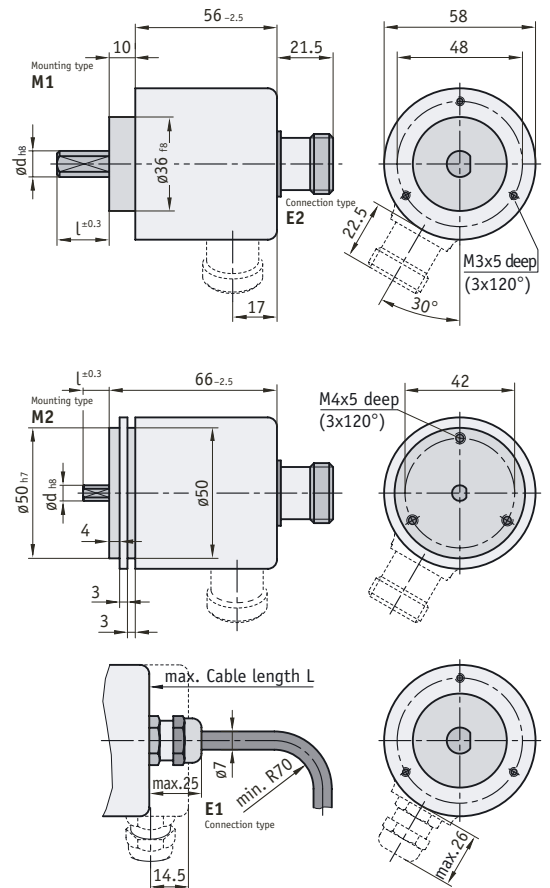
Solid shaft

MV58 - absolute, programmable multi-turn encoder with a small installation depth and 58 mm flange as standard.



Features:

- only 66 mm installation depth
- solid shaft diam. 6 and 10 mm
- 58 mm size diam.
- SSI interface
- IP 65 type of protection
- shock-proof up to 250 g



Feature	Order text	Technical data	Additional information
Interface/protocol	S6/04 A	RS422/SSI	
Connection type	E1 B E2	cable connector	mating connector available as art. no. 81273
Position of el. connection	A C R	axial radial	
Cable length L in [m]	1.0 D OK	2.0, 3.0, 5.0, 8.0, 10.0 without cable	
Steps/revolution	8192 E	4096	
Number of revolutions	4096 F		
Output code	B G G	binary Gray	
Mounting type	M1 H M2	clamping flange servo flange	
Shaft diam. x length [mm]	6 x 10 I 10 x 20	d x l	
Mechanical data			
Speed		max. 6000 min ⁻¹	
Rotor moment of inertia		approx. 1.8 x 10 ⁻⁶ kgm ²	
Starting torque		< 0.01 N	
Load capacity of shaft		radial 80 N, axial 40 N	
Weight		approx. 0.4 kg	
Type of protection		IP 65	according to EN 60 529
Working temperature		-20 °C ... +70 °C	
Shaft		stainless steel	
Cable sheath		PVC	
Shock resistance		2500 m/s ² , 6 ms	according to DIN-IEC 68-2-27
Vibration resistance		100 m/s ² , 10 ... 2000 Hz	according to DIN-IEC 68-2-6
Electrical data		SSI	
Operating voltage		5 ... 30 V DC	
Output driver		RS 485	
Power consumption without load		typ. 89 mA	
Permitted load/channel (max.)		± 20 mA	
SSI clock speed min./max.		100 kHz/500 kHz	
Signal level high		typ. 3.8 V	
Signal level low		typ. 1.3 V (20 mA)	
Ramp-up time t _r (max.)		100 ns*	
Ramp-down time t _f (max.)		100 ns*	
Short-circuit proof outputs		yes, only one channel **	
Polarity protection on UB		yes	
Other data			
Test mark		CE	

* without cable, ** short circuit permitted towards 0V and +UB outputs at UB = 5 V DC . Short circuit permitted towards 0V output at UB = >5 V DC.

Your order data: - - - - - - - - -