

C-more 3" Micro-Graphic Panel Accessories

8-button Keypad Bezel

The 8-button keypad bezel can be used with both the touch and non-touch **C-more 3"** Micro-Graphic panels. The keypad includes four directional arrow cursor buttons, and one each of an ESCAPE, MENU, CLEAR and ENTER button. The keypad is intended to be used with the numeric entry object (Style 3) to allow changing of a

value, and can also be used to navigate & select objects when using the non-touch panel version. The keypad bezel is designed for easy drop-in of a **C-more 3"** Micro-Graphic panel. No panel configuration required.

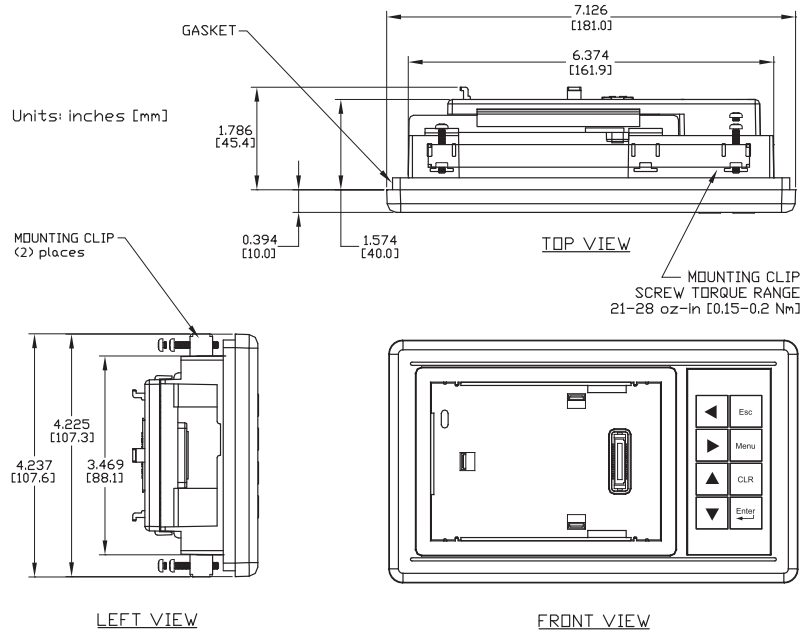
Part No. EA-MG-BZ1



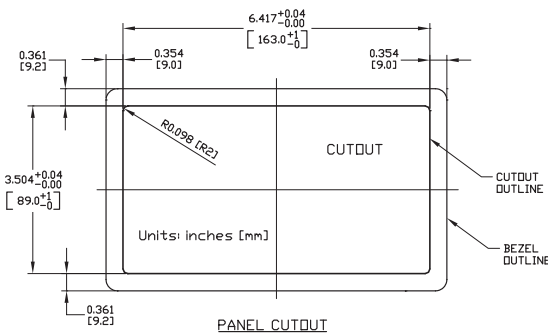
Four directional cursor buttons, and ESC, MENU, CLEAR and ENTER buttons.



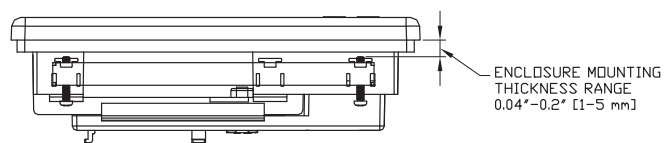
Dimensions



Panel Cutout



Panel Thickness



8-Button Keypad Bezel Specifications

Part Number	EA-MG-BZ1
General	
• C-more Micro-Graphic Panels Supported	EA1-S3ML, EA1-S3MLW, EA1-S3ML-N, EA1-S3MLW-N
• Connection	Connects with expansion connector on the rear of a C-more 3" Micro-Graphic panel. An expansion connector is also located on the rear of the keypad bezel to allow the EA-MG-P1 DC Power Adapter, or the EA-MG-SP1 Serial Port with DC Power Adapter to be attached.
• Power Consumption	None
• Keypad Button Life	Minimum of 500,000 cycles
• Enclosure Mounting	(2) mounting clips, EA-MG-BZ1-BRK, included. Note: The C-more 3" Micro-Graphic panel is installed into the keypad bezel using the EA-MG-S3ML-BRK mounting clips that are supplied with the panel.
Physical	
• Dimensions	7.126" (W) x 4.225" (H) x 2.180" (D) [181.0 mm x 107.3 mm x 55.4 mm]
• Weight	7.05 oz. [200 g]
• Environmental	See environmental specifications at the beginning of this catalog section.

C-more 3" Micro-Graphic Panel Accessories

20-Button Keypad Bezel

The 20-button keypad bezel can be used with both the touch and non-touch **C-more 3" Micro-Graphic** panels. The keypad includes four directional arrow cursor buttons, a full numeric keypad, and one each of an ESCAPE, MENU, CLEAR and ENTER button. The keypad is intended to be used with the numeric entry object (Style 3) to allow changing of a value, and can also be

used to navigate & select objects when using the non-touch panel version. The numeric buttons can be used to enter a new value. The keypad bezel is designed for easy drop-in of a **C-more 3" Micro-Graphic** panel. No panel configuration required.

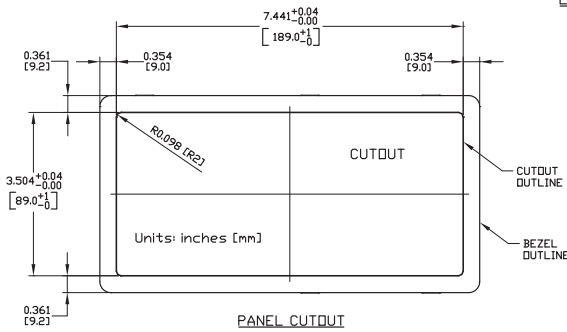
Part No. EA-MG-BZ2



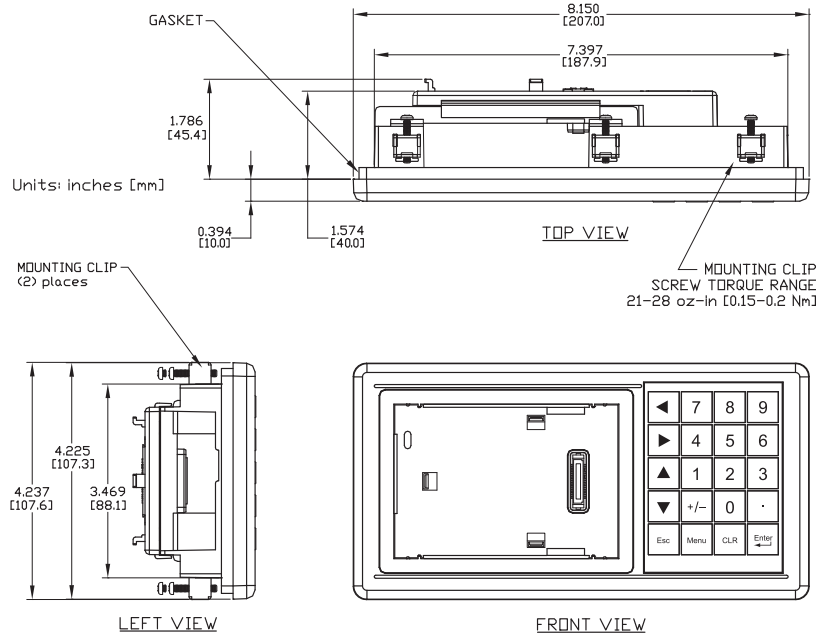
Four directional cursor buttons, numeric buttons, and ESC, MENU, CLEAR and ENTER buttons.



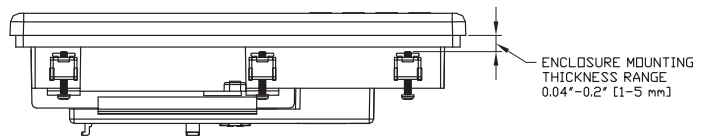
Panel Cutout



Dimensions



Panel Thickness



20-Button Keypad Bezel Specifications	
Part Number	EA-MG-BZ2
General	
• C-more Micro-Graphic Panels Supported	EA1-S3ML, EA1-S3MLW, EA1-S3ML-N, EA1-S3MLW-N
• Connection	Connects with expansion connector on the rear of a 3" C-more Micro-Graphic panel. An expansion connector is also located on the rear of the keypad bezel to allow the EA-MG-P1 DC Power Adapter, or the EA-MG-SP1 Serial Port with DC Power Adapter to be attached.
• Power Consumption	None
• Keypad Button Life	Minimum of 500,000 cycles
• Enclosure Mounting	(6) mounting clips, EA-MG-BZ2-BRK, included. Note: The C-more 3" Micro-Graphic panel is installed into the keypad bezel using the EA-MG-S3ML-BRK mounting clips that are supplied with the panel.
Physical	
• Dimensions	8.150" (W) x 4.225" (H) x 2.180" (D) [207.0 mm x 107.3 mm x 55.4 mm]
• Weight	7.40 oz. [210 g]
Environmental	See environmental specifications at the beginning of this catalog section.

C-more 3" Micro-Graphic Panel Accessories

DC Power Adapter

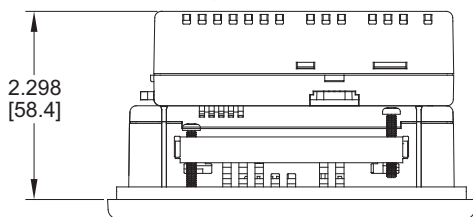
The **C-more 3" Micro-Graphic panel** is designed to use the 5 VDC power that is available from an RJ12 serial communications port found on CLICK and most **DirectLOGIC PLCs** from **AutomationDirect**. However, for other devices that do not supply power through their serial communications port, the EA-MG-P1 DC power adapter or EA-MG-SP1 serial port with

DC power adapter must be used. Both adapters require power from a 12-24 VDC source. The EA-MG-P1 DC Power Adapter for **C-more 3" Micro-Graphic panels** is designed to easily snap on to the rear of a **C-more 3" Micro-Graphic panel** or the rear of an optional Keypad Bezel being used with a **C-more 3" Micro-Graphic panel**.

Part No. EA-MG-P1



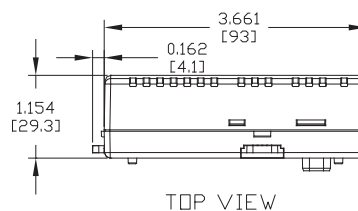
Panel overall depth with adapter installed



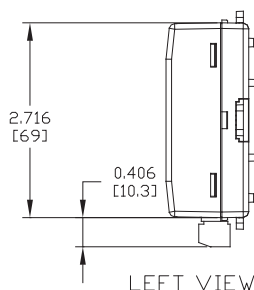
Units: inches [mm]

Dimensions

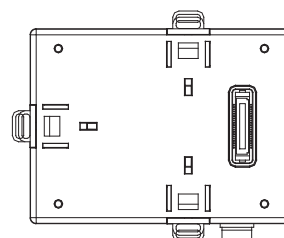
Units: inches [mm]



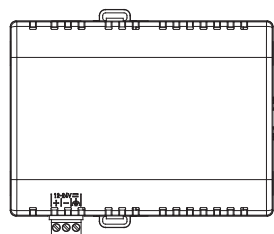
TOP VIEW



LEFT VIEW



REAR VIEW



FRONT VIEW

DC Power Adapter Specifications

Part Number	EA-MG-P1
Electrical	
• Input Voltage	12-24 VDC
• Input Voltage Range	10.8-26.4 VDC
• Power Consumption	100 mA @ 24 VDC
• Maximum Power	2.90 Watts
• Maximum Inrush Current	5 A @ 500 μs with 12 VDC applied, 10 A @ 500 μs with 24 VDC applied
• Recommended Fuse	Type AGC fast acting glass fuse, 750 mA, 250 VAC, ADC #AGC-75
• Connector Type	3-pin screw type terminal block
Physical	
• Dimensions	3.823" (W) x 3.284" (H) x 1.331" (D) [97.1 mm x 83.4 mm x 33.8 mm]
• Weight	2.8 oz. [80 g]
Environmental	See environmental specifications at the beginning of this catalog section.



NOTE: Recommended DC power supply to power either DC Power Adapter, AutomationDirect Part No. PSP24-024S or PSP24-024C.

C-more 3" Micro-Graphic Panel Accessories

Serial Port with DC Power Adapter

The **C-more** 3" Micro-Graphic panel is designed to use the 5 VDC power that is available from an RJ12 serial communications port of CLICK and most **DirectLOGIC** PLCs from **AutomationDirect**. However, for other devices that do not supply power through their serial communications port, the EA-MG-P1 DC power adapter or EA-MG-SP1 serial port with DC power adapter must be used. The EA-MG-SP1, with D-Sub 15-pin

RS-232/RS-422/485 serial port, can be used to connect to a PLC using RS-232 or RS-422/485. The adapter requires power from a 12-24 VDC source. This optional Serial Port with DC Power Adapter for **C-more** 3" Micro-Graphic panels is designed to easily snap on to the rear of a **C-more** 3" Micro-Graphic panel or the rear of an optional Keypad Bezel being used with a **C-more** 3" Micro-Graphic panel.

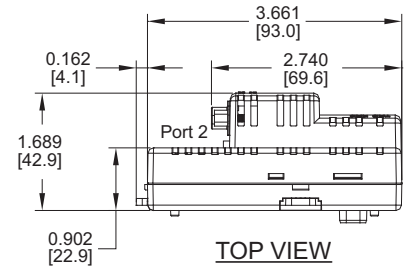
Part No. EA-MG-SP1



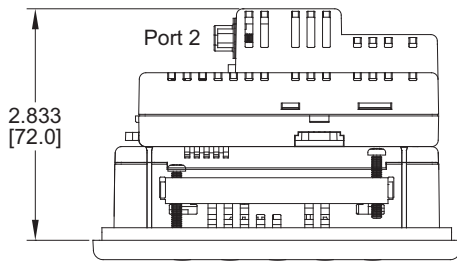
Supports:
RS-232,
RS-485,
& RS-422

Dimensions

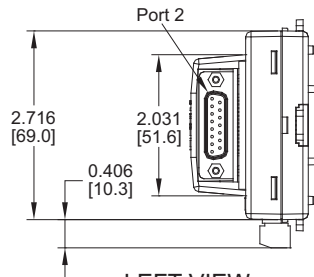
Units: inches [mm]



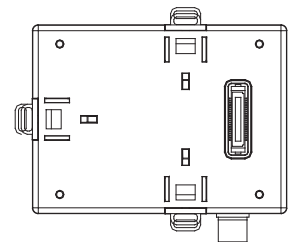
<--->
**Panel overall depth
with adapter installed**



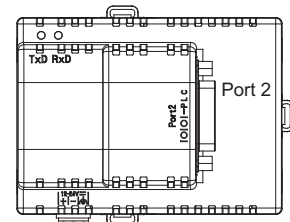
Units: inches [mm]



LEFT VIEW



REAR VIEW



FRONT VIEW

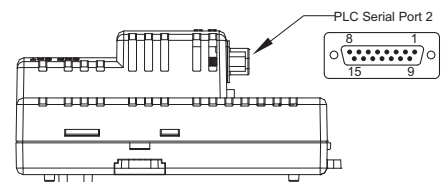
Serial Port w/ DC Power Adapter Specifications	
Part Number	EA-MG-SP1
Serial PLC Interface	
• Interface Standard	RS-232 & RS-485/422
• Adjustable Settings from Software (Dependent on PLC Protocol)	Baud rate: 9600, 19200 or 38400 bits/sec Data bits: 7/8 bits Parity: None, Odd/Even Stop bits: 2/1 bits
• Connector Type	15-pin D-sub connector (female)
Electrical	
• Input Voltage	12-24 VDC
• Input Voltage Range	10.8-26.4 VDC
• Power Consumption	100 mA @ 24 VDC
• Maximum Power	2.90 Watts
• Maximum Inrush Current	5 A @ 500 μs with 12 VDC applied, 10 A @ 500 μs with 24 VDC applied
• Recommended Fuse	Type AGC fast acting glass fuse, 750 mA, 250 VAC, ADC #AGC-75
• Connector Type	3-pin screw type terminal block
Physical	
• Dimensions	3.823" (W) x 3.284" (H) x 1.331" (D) [97.1 mm x 83.4 mm x 33.8 mm]
• Weight	2.8 oz. [80 g]
• Environmental	See environmental specifications at the beginning of this catalog section.



NOTE: Recommended DC power supply to power either DC Power Adapter, AutomationDirect Part No. PSP24-024S or PSP24-024C.

PLC Serial Communications Port 2

Pin	Signal	Pin	Signal	Pin	Signal
1	Frame GND	6	LE	11	TXD+ (422/485)
2	TXD (232C)	7	CTS (232C)	12	TXD- (422/485)
3	RXD (232C)	8	RTS (232C)	13	Term. Resistor
4	Future	9	RXD+ (422/485)	14	do not use
5	Logic GND	10	RXD- (422/485)	15	do not use



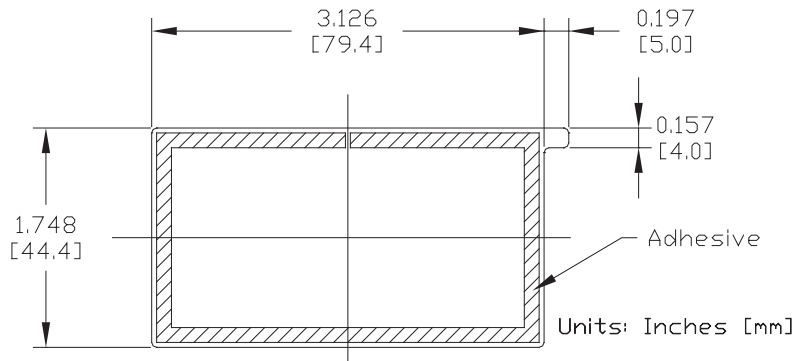
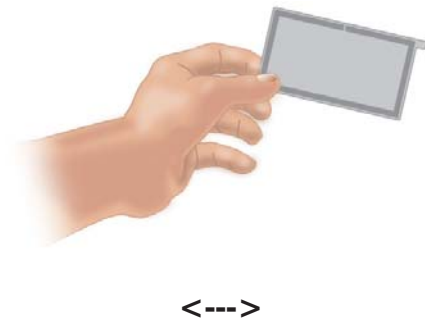
C-more 3" Micro-Graphic Panel Accessories

Clear Screen Overlay

Optional clear screen overlay used to protect C-more 3" Micro-Graphic displays from minor scratches and wear. Package contains 5 clear screen overlays.

Part No. EA-MG-COV-CL

Dimensions



Clear screen overlay installation

Step 1



Remove the overlay from the package

Step 2



Remove the paper backing from the overlay

Step 3



Align the overlay with the screen and press the adhesive firmly into place

Step 4



Remove the protective film*



*Note: The overlay cover ships with a thin protective film on the face that should be carefully removed after installation.

C-more 3" Micro-Graphic Replacement Parts

The optional replacement parts can be used to replace damaged, worn or lost **C-more 3" Micro-Graphic** panel components.

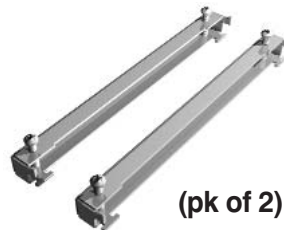
Replacement parts at a glance:

Part Number	Description	Price
EA-MG-S3ML-BRK	Replacement mounting clip for C-more 3" Micro-Graphic panels (pk of 2)	<--->
EA-MG-BZ1-BRK	Replacement mounting clip for C-more 3" Micro-Graphic keypad bezel p/n EA-MG-BZ1 (pk of 2)	<--->
EA-MG-BZ2-BRK	Replacement mounting clip for C-more Micro-Graphic keypad bezel p/n EA-MG-BZ2 and C-more 6" Micro-Graphic panels and bezels (pk of 8)	<--->
EA-MG-DC-CON	Replacement adapter DC power connector for optional p/n EA-MG-P1 and p/n EA-MG-SP1 power adapters used with C-more 3" Micro-Graphic panels and C-more 6" Micro-Graphic panels and bezels (pk of 5)	<--->
EA-MG-S3ML-GSK	Replacement mounting gasket for C-more 3" Micro-Graphic panels	<--->
EA-MG-BZ1-GSK	Replacement mounting gasket for C-more 3" Micro-Graphic keypad bezel p/n EA-MG-BZ1	<--->
EA-MG-BZ2-GSK	Replacement mounting gasket for C-more 3" Micro-Graphic keypad bezel p/n EA-MG-BZ2	<--->
EA-MG-S3ML-FKL	Replacement function key label insert for C-more 3" Micro-Graphic panels (pk of 10; 5 blank, 5 F1-F5)	<--->

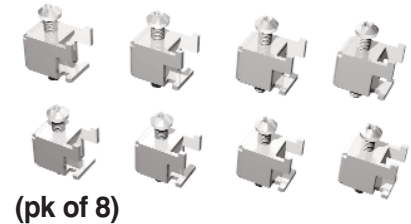
Panel Mounting Clips
Part No. EA-MG-S3ML-BRK



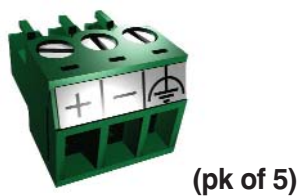
Keypad Bezel 1 Mounting Clips
Part No. EA-MG-BZ1-BRK



Keypad Bezel 2 Mounting Clips
Part No. EA-MG-BZ2-BRK



DC Power Connector
Part No. EA-MG-DC-CON



3" Panel Gasket
Part No. EA-MG-S3ML-GSK



3" Keypad Bezel 1 Gasket
Part No. EA-MG-BZ1-GSK



3" Keypad Bezel 2 Gasket
Part No. EA-MG-BZ2-GSK



3" Panel Function Keys Label Inserts
Part No. EA-MG-S3ML-FKL

